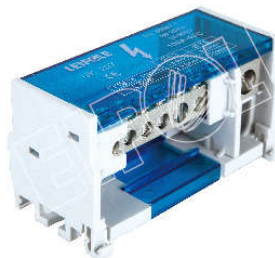


Certification	Materials	Protection class
CE RoHS	Polyester (PBT)	IP20

LEIPOLD offers a wide range of halogen-free, four pole distribution blocks. Also offered are single pole blocks and supports for assembling distribution blocks.

- ◆ Large accessibility in a minimal space
Minimum space for maximum power
- ◆ Easy fixing on all types of DIN rail or steel sheet
- ◆ Safe and easy connections
- ◆ Fixings provided for protective screen
- ◆ High resistance to short-circuit forces
- Quick to install



UK 207

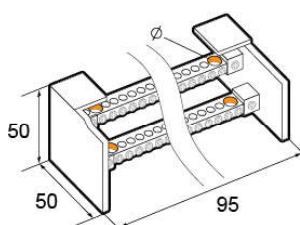
UK 407

Material: Flame Retardant Nylon (end plate bracket)

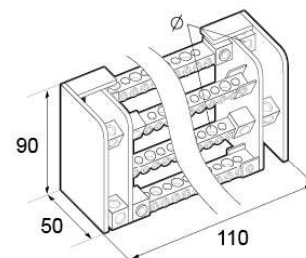
- ◆ Brass (terminal block)
- ◆ Steel (twist wire screw)
- ◆ PCS (cover)

Order number: 5012.001
2 pole 100A EN 60947-1
UK-207 100A - 6 Terminal
<ul style="list-style-type: none"> ▪ I_{cw} kA rms Is: 4.5 ▪ IPk kA: 20 ▪ Ui: 500V
Installation Hole: 45mm

Order number: 5012.002
4 pole 125A EN 60947-1
UK-407 125A - 6 Terminal
<ul style="list-style-type: none"> ▪ I_{cw} kA rms Is: 4.5 ▪ IPk kA: 20 ▪ Ui: 500V
Installation Hole: mm



Install Pitch: 45mm

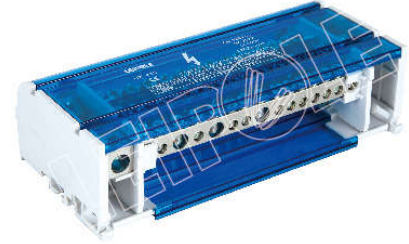


Install Pitch: 89mm

Metric system	mm ²	mm ²	Ø	I(N.m)
	10 ■ 35	10 ■ 25	x1	8,5
	1,5 ■ 4	0.75 ■ 4	x3	4,5
	2,5 ■ 6	1,5 ■ 6	x3	5,5

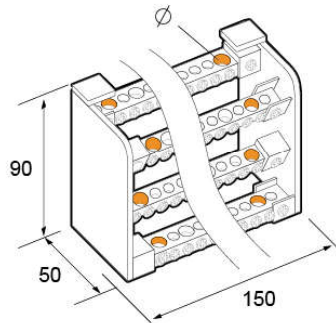
Metric system	mm ²	mm ²	Ø	I(N.m)
	10 ■ 35	10 ■ 35	x1	9,5
	2,5 ■ 6	1,5 ■ 6	x5	5,5
	10 ■ 25	6 ■ 16	x1	7,5

Certification	Materials	Protection class
CE RoHS	Polyester (PBT)	IP20



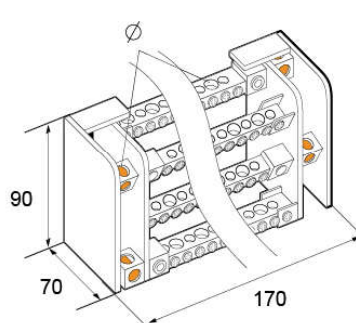
UK 411

Order number: 5012.003
4 pole 100A EN 60947-1
UK-411 100A - 10 Terminal
<ul style="list-style-type: none"> • I_{cw} kA rms Is: 4.5 • IPk kA: 20 • Ui: 500V
Installation Hole: 80mm
Install pitch:



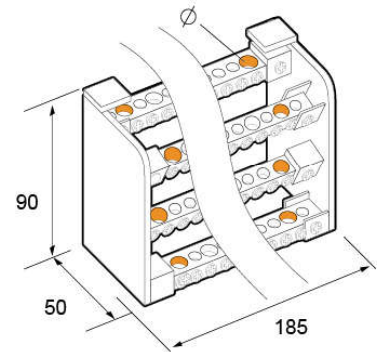
UK 412

Order number: 5012.004
4 pole 160A EN 60947-1
UK-412 160A - 11 Terminal
<ul style="list-style-type: none"> • I_{cw} kA rms Is: 4.5 • IPk kA: 20 • Ui: 500V
Installation Hole: 45mm
Install pitch:



UK 415

Order number: 5012.005
4 pole 125A EN 60947-1
UK-415 125A - 14 Terminal
<ul style="list-style-type: none"> • I_{cw} kA rms Is: 4.5 • IPk kA: 20 • Ui: 500V
Installation Hole: 110mm
Install pitch:



Metric system	mm²	mm²	Ø	I(N.m)	
	10 ■ 35	10 ■ 25	x2	8,5	2-3
	1,5 ■ 4	0,75 ■ 4	x4	4,5	1,2-1,5
	2,5 ■ 6	1,5 ■ 6	x5	5,5	2-3

Metric system	mm²	mm²	Ø	I(N.m)	
	10 ■ 50	10 ■ 50	x1	12	8-10
	10 ■ 35	10 ■ 25	x3	8,5	2-3
	2,5 ■ 16	1,5 ■ 16	x8	7	2-3

Metric system	mm²	mm²	Ø	I(N.m)	
	10 ■ 35	10 ■ 25	x2	8,5	2-3
	1,5 ■ 4	0,75 ■ 4	x6	4,5	1,2-1,5
	2,5 ■ 6	1,5 ■ 6	x7	5,5	2-3